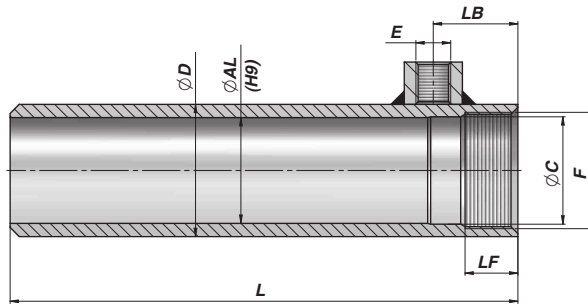
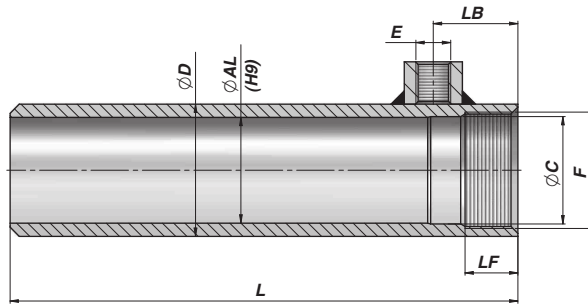
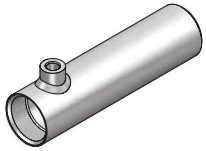


Code	ØAL	Stroke	L	ØD	E BSP	LB	F	LF	ØC	kg							
HTLS025050050	25	50	95	35	1/4"	15	M28x1,5	13	-	0,40							
HTLS025050100		100	145							0,60							
HTLS025050150		150	195							0,70							
HTLS025050200		200	245							0,90							
HTLS032050050	32	50	127	42	1/4"	27	M36x1,5	16	32,6	0,60							
HTLS032050100		100	177							0,80							
HTLS032050150		150	227							1,00							
HTLS032050200		200	277							1,30							
HTLS032050250		250	327							1,50							
HTLS032050300		300	377							1,70							
HTLS032050400		400	477							2,20							
HTLS032050500		500	577							2,60							
HTLS1500100		40	100							192	50	1/4"	32	M44x1,5	20	40,6	1,09
HTLS1500150	150		242	1,37													
HTLS1500200	200		292	1,64													
HTLS1500250	250		342	1,92													
HTLS1500300	300		392	2,19													
HTLS1500350	350		442	2,47													
HTLS1500400	400		492	2,74													
HTLS1500450	450		542	3,02													
HTLS1500500	500		592	3,30													
HTLS1500550	550		642	3,57													
HTLS1500600	600		692	3,85													
HTLS2500100	50	100	202	60	3/8"	35	M54x1,5	23	50,6	1,40							
HTLS2500150		150	252							1,74							
HTLS2500200		200	302							2,08							
HTLS2500250		250	352							2,42							
HTLS2500300		300	402							2,75							
HTLS2500350		350	452							3,09							
HTLS2500400		400	502							3,43							
HTLS2500450		450	552							3,76							
HTLS2500500		500	602							4,10							
HTLS2500550		550	652							4,44							
HTLS2500600		600	702							4,77							
HTLS2500700		700	802							5,44							
HTLS2500800		800	902							6,12							
HTLS2501000		1000	1102							7,47							
HTLS2501500		1500	1602							10,17							
HTLS3500100		60	100							217	70	3/8"	40	M64x1,5	28	60,6	1,77
HTLS3500150			150							267							2,17
HTLS3500200	200		317	2,57													
HTLS3500250	250		367	2,97													
HTLS3500300	300		417	3,36													
HTLS3500350	350		467	3,76													
HTLS3500400	400		517	4,16													
HTLS3500450	450		567	4,56													
HTLS3500500	500		617	4,96													
HTLS3500550	550		667	5,35													
HTLS3500600	600		717	5,75													
HTLS3500800	800		917	7,35													
HTLS3501000	1000		1117	8,94													
HTLS3501500	1500		1617	12,95													



Code	ØAL	Stroke	L	ØD	E BSP	LB	F	LF	ØC	kg
HTLS0630730200	63	200	317	73	3/8"	40	M68x1,5	26	64,1	2,59
HTLS0630730250		250	367							3,01
HTLS0630730300		300	417							3,43
HTLS0630730400		400	517							4,27
HTLS0630730500		500	617							5,11
HTLS0630730600		600	717							5,95
HTLS0630730800		800	917							7,63
HTLS0630731000		1000	1117							9,30
HTLS4500100	70	100	217	80	3/8"	40	M74x1,5	28	70,6	2,04
HTLS4500150		150	267							2,50
HTLS4500200		200	317							2,96
HTLS4500250		250	367							3,42
HTLS4500300		300	417							3,87
HTLS4500350		350	467							4,33
HTLS4500400		400	517							4,79
HTLS4500450		450	567							5,25
HTLS4500500		500	617							5,71
HTLS4500550		550	667							6,17
HTLS4500600		600	717							6,63
HTLS4500800		800	917							8,47
HTLS4501000	1000	1117	10,31							
HTLS4501500	1500	1617	14,94							
HTLS5600200	80	200	335	92	1/2"	50	M85x2	34	80,6	4,29
HTLS5600250		250	385							4,92
HTLS5600300		300	435							5,56
HTLS5600400		400	535							6,82
HTLS5600500		500	635							8,08
HTLS5600600		600	735							9,35
HTLS5600800		800	935							11,88
HTLS5601000		1000	1135							14,41
HTLS5601500	1500	1635	20,77							
HTLS0901050300	90	300	440	105	1/2"	50	M95x2	34	90,6	7,79
HTLS0901050400		400	540							9,58
HTLS0901050500		500	640							11,37
HTLS0901050600		600	740							13,16
HTLS0901050800		800	940							16,74
HTLS0901051000		1000	1140							20,33



Code	ØAL	Stroke	L	ØD	E BSP	LB	F	LF	ØC	kg
HTLS6700200	100	200	360	115	1/2"	70	M105x2	52	100,6	7,17
HTLS6700250		250	410							8,16
HTLS6700300		300	460							9,14
HTLS6700400		400	560							11,12
HTLS6700500		500	660							13,09
HTLS6700600		600	760							15,07
HTLS6700800		800	960							19,02
HTLS6701000		1000	1160							22,97
HTLS6701500		1500	1660							32,89

MATERIAL:  
STEEL - St 52.3 DIN 2393 ISO H9