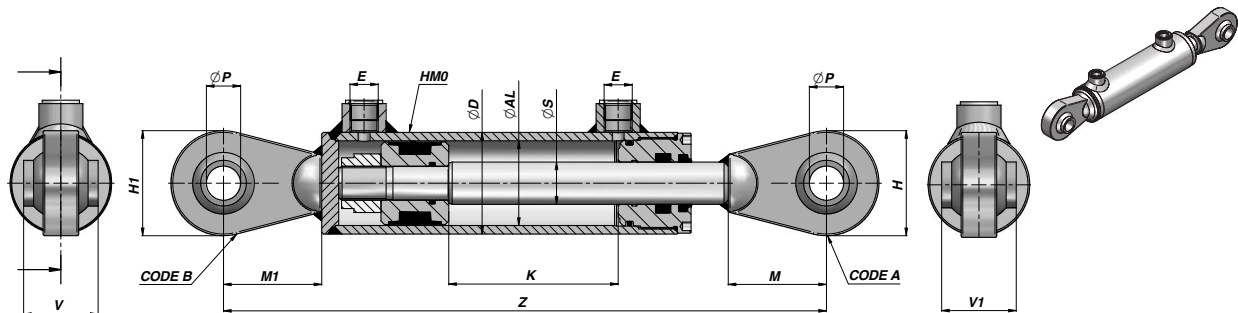


Code	K	Z	kg	E BSP	ØP	H	V	M	H1	V1	M1	Code A	Code B	Code	K	Z	kg
ØD 42 ØAL 32 ØS 20																	
HHS1032200050	50	275	1,88														
HHS1032200100	100	325	2,18														
HHS1032200150	150	375	2,53														
HHS1032200200	200	425	2,88														
HHS1032200250	250	475	3,28														
HHS1032200300	300	525	3,58														
HHS1032200400	400	625	4,28														
HHS1032200500	500	725	4,98														
ØD 50 ØAL 40 ØS 20													ØD 50 ØAL 40 ØS 25				
HHS11200100	100	350	2,85											HHS11250100	100	350	3,08
HHS11200150	150	400	3,25											HHS11250150	150	400	3,53
HHS11200200	200	450	3,63											HHS11250200	200	450	3,97
HHS11200250	250	500	4,03											HHS11250250	250	500	4,43
HHS11200300	300	550	4,43											HHS11250300	300	550	4,90
HHS11200350	350	600	4,85	1/4"	16,2	46	20	60	46	20	60	HWBJ0010495	HWBJ0010495	HHS11250350	350	600	5,37
HHS11200400	400	650	5,23											HHS11250400	400	650	5,84
HHS11200450	450	700	5,66											HHS11250450	450	700	6,30
HHS11200500	500	750	6,07											HHS11250500	500	750	6,78
														HHS11250550	550	800	7,18
														HHS11250600	600	850	7,71
ØD 60 ØAL 50 ØS 25													ØD 60 ØAL 50 ØS 30				
HHS12250100	100	356	4,56											HHS12300150	150	406	5,38
HHS12250150	150	406	5,10											HHS12300200	200	456	6,01
HHS12250200	200	456	5,61											HHS12300250	250	506	6,62
HHS12250250	250	506	6,12											HHS12300300	300	556	7,24
HHS12250300	300	556	6,62											HHS12300350	350	606	7,82
HHS12250350	350	606	7,21											HHS12300400	400	656	8,47
HHS12250400	400	656	7,67	3/8"	20,2	62	44	58	62	44	58	HWBJ0010720	HWBJ0010720	HHS12300450	450	706	9,07
HHS12250450	450	706	8,57											HHS12300500	500	756	9,69
HHS12250500	500	756	8,70											HHS12300550	550	806	10,31
HHS12250550	550	806	9,33											HHS12300600	600	856	10,91
HHS12250600	600	856	9,73											HHS12300700	700	956	12,12
HHS12250800	800	1056	11,98											HHS12300800	800	1056	13,37
HHS12251000	1000	1256	14,14											HHS12301000	1000	1256	15,84
ØD 70 ØAL 60 ØS 30													ØD 70 ØAL 60 ØS 35				
HHS13300100	100	390	6,75											HHS13350100	100	390	7,00
HHS13300150	150	440	7,48											HHS13350150	150	440	7,78
HHS13300200	200	490	8,13											HHS13350200	200	490	8,53
HHS13300250	250	540	8,80											HHS13350250	250	540	9,33
HHS13300300	300	590	9,48											HHS13350300	300	590	10,08
HHS13300350	350	640	10,13											HHS13350350	350	640	10,87
HHS13300400	400	690	10,83	3/8"	25,4	75	51	65	75	51	65	HWBJ0010740	HWBJ0010740	HHS13350400	400	690	11,65
HHS13300450	450	740	11,46											HHS13350450	450	740	12,40
HHS13300500	500	790	12,18											HHS13350500	500	790	13,18
HHS13300550	550	840	12,79											HHS13350550	550	840	13,93
HHS13300600	600	890	13,53											HHS13350600	600	890	14,74
HHS13300800	800	1090	16,19											HHS13350800	800	1090	17,80
HHS13301000	1000	1290	18,93											HHS13351000	1000	1290	20,86



Code	K	Z	kg	E BSP	ØP	H	V	M	H1	V1	M1	Code A	Code B	Code	K	Z	kg
ØD 70 ØAL 60 ØS 40														ØD 73 ØAL 63 ØS 40			
HHS13400200	200	490	9,18											HHS1063400200	200	490	9,54
HHS13400250	250	540	10,07											HHS1063400250	250	540	10,44
HHS13400300	300	590	10,96											HHS1063400300	300	590	11,34
HHS13400350	350	640	11,83											HHS1063400350	350	640	12,24
HHS13400400	400	690	12,72											HHS1063400400	400	690	13,14
HHS13400450	450	740	13,57	3/8"	25,4	75	51	65	75	51	65	HWBJ0010740	HWBJ0010740	HHS1063400450	450	740	14,04
HHS13400500	500	790	14,45											HHS1063400500	500	790	14,94
HHS13400550	550	840	15,38											HHS1063400550	550	840	15,84
HHS13400600	600	890	16,23											HHS1063400600	600	890	16,74
HHS13400800	800	1090	19,75											HHS1063400800	800	1090	20,44
HHS13401000	1000	1290	23,33											HHS1063401000	1000	1290	24,04
ØD 80 ØAL 70 ØS 35														ØD 80 ØAL 70 ØS 40			
HHS14350100	100	390	8,03														
HHS14350150	150	440	8,89											HHS14400200	200	490	10,22
HHS14350200	200	490	9,68											HHS14400250	250	540	11,20
HHS14350250	250	540	10,54											HHS14400300	300	590	12,18
HHS14350300	300	590	11,34											HHS14400350	350	640	13,14
HHS14350350	350	640	12,20											HHS14400400	400	690	14,74
HHS14350400	400	690	12,94	3/8"	25,4	75	51	65	75	51	65	HWBJ0010740	HWBJ0010740	HHS14400450	450	740	15,05
HHS14350450	450	740	13,82											HHS14400500	500	790	15,95
HHS14350500	500	790	14,54											HHS14400550	550	840	17,04
HHS14350550	550	840	15,60											HHS14400600	600	890	17,93
HHS14350600	600	890	16,14											HHS14400800	800	1090	21,67
HHS14350800	800	1090	19,50											HHS14401000	1000	1290	25,45
HHS14351000	1000	1290	23,20														
ØD 92 ØAL 80 ØS 40														ØD 92 ØAL 80 ØS 50			
HHS15400200	200	510	13,87											HHS15500200	200	510	15,14
HHS15400250	250	560	15,01											HHS15500250	250	560	16,52
HHS15400300	300	610	16,14											HHS15500300	300	610	17,94
HHS15400400	400	710	18,35											HHS15500400	400	710	20,74
HHS15400500	500	810	20,56	1/2"	30,2	83	55	65	83	55	65	HWBJ0010810	HWBJ0010810	HHS15500500	500	810	23,50
HHS15400600	600	910	22,77											HHS15500600	600	910	26,79
HHS15400800	800	1110	27,29											HHS15500800	800	1110	32,29
HHS15401000	1000	1310	31,71											HHS15501000	1000	1310	37,79
ØD 105 ØAL 90 ØS 50																	
HHS1090500300	300	656	26,22														
HHS1090500400	400	756	29,56														
HHS1090500500	500	856	32,89														
HHS1090500600	600	956	36,22	1/2"	40,2	108	75	85	108	75	85	HWBJ0010820	HWBJ0010820				
HHS1090500800	800	1156	42,89														
HHS1090501000	1000	1356	49,56														
ØD 115 ØAL 100 ØS 50														ØD 115 ØAL 100 ØS 60			
HHS16500200	200	580	26,43														
HHS16500250	250	630	28,43														
HHS16500300	300	680	29,93											HHS16600300	300	680	32,43
HHS16500400	400	780	33,43											HHS16600400	400	780	36,43
HHS16500500	500	880	36,93	1/2"	40,2	108	75	85	108	75	85	HWBJ0010820	HWBJ0010820	HHS16600500	500	880	40,43
HHS16500600	600	980	40,43											HHS16600600	600	980	44,43
HHS16500800	800	1180	47,43											HHS16600800	800	1180	52,93
HHS16501000	1000	1380	54,43											HHS16601000	1000	1380	61,43