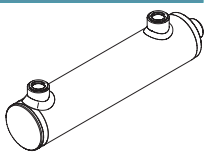
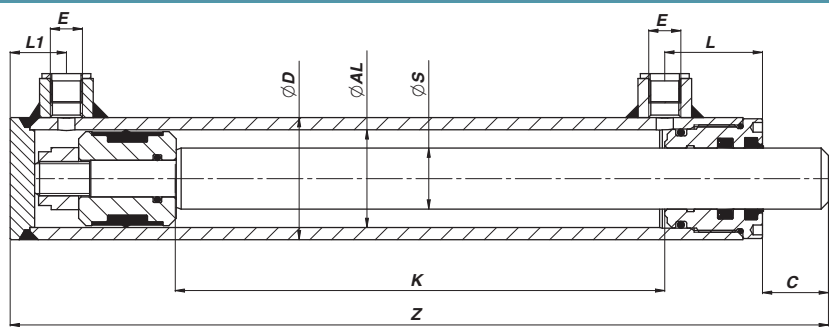


Code	K	Z	kg	E BSP	L	L1	C	Code	K	Z	kg				
<b>ØD 35    ØAL 25    ØS 16</b>															
HHS0025160050	50	135	0,70	1/4"	33	15	17								
HHS0025160100	100	185	0,95												
HHS0025160150	150	235	1,25												
HHS0025160200	200	285	1,50												
<b>ØD 42    ØAL 32    ØS 20</b>															
HHS0032200050	50	155	1,30	1/4"	33	20	16								
HHS0032200100	100	205	1,60												
HHS0032200150	150	255	1,95												
HHS0032200200	200	305	2,30												
HHS0032200250	250	355	2,70												
HHS0032200300	300	405	3,00												
HHS0032200400	400	505	3,70												
HHS0032200500	500	605	4,40												
<b>ØD 50    ØAL 40    ØS 20</b>								<b>ØD 50    ØAL 40    ØS 25</b>							
HHS01200100	100	230	2,27	1/4"	40	23	22	HHS01250100	100	230	2,50				
HHS01200150	150	280	2,67					HHS01250150	150	280	2,95				
HHS01200200	200	330	3,05					HHS01250200	200	330	3,39				
HHS01200250	250	380	3,45					HHS01250250	250	380	3,85				
HHS01200300	300	430	3,85					HHS01250300	300	430	4,32				
HHS01200350	350	480	4,27					HHS01250350	350	480	4,79				
HHS01200400	400	530	4,65					HHS01250400	400	530	5,26				
HHS01200450	450	580	5,08					HHS01250450	450	580	5,72				
HHS01200500	500	630	5,49					HHS01250500	500	630	6,20				
								HHS01250550	550	680	6,60				
								HHS01250600	600	730	7,13				
<b>ØD 60    ØAL 50    ØS 25</b>								<b>ØD 60    ØAL 50    ØS 30</b>							
HHS02250100	100	240	3,29	3/8"	43	26	22	HHS02300150	150	290	4,11				
HHS02250150	150	290	3,83					HHS02300200	200	340	4,74				
HHS02250200	200	340	4,34					HHS02300250	250	390	5,35				
HHS02250250	250	390	4,85					HHS02300300	300	440	5,97				
HHS02250300	300	440	5,35					HHS02300350	350	490	6,55				
HHS02250350	350	490	5,94					HHS02300400	400	540	7,20				
HHS02250400	400	540	6,40					HHS02300450	450	590	7,80				
HHS02250450	450	590	7,30					HHS02300500	500	640	8,42				
HHS02250500	500	640	7,43					HHS02300550	550	690	9,04				
HHS02250550	550	690	8,06					HHS02300600	600	740	9,64				
HHS02250600	600	740	8,46					HHS02300700	700	840	10,85				
								HHS02300800	800	940	12,10				
HHS02250800	800	940	10,71					HHS02301000	1000	1140	14,57				
HHS02251000	1000	1140	12,87												
<b>ØD 70    ØAL 60    ØS 30</b>												<b>ØD 70    ØAL 60    ØS 35</b>			
HHS03300100	100	260	4,82					3/8"	50	30	23	HHS03350100	100	260	5,07
HHS03300150	150	310	5,55									HHS03350150	150	310	5,85
HHS03300200	200	360	6,20									HHS03350200	200	360	6,60
HHS03300250	250	410	6,87	HHS03350250	250	410	7,40								
HHS03300300	300	460	7,55	HHS03350300	300	460	8,15								
HHS03300350	350	510	8,20	HHS03350350	350	510	8,94								
HHS03300400	400	560	8,90	HHS03350400	400	560	9,72								
HHS03300450	450	610	9,53	HHS03350450	450	610	10,47								
HHS03300500	500	660	10,25	HHS03350500	500	660	11,25								
HHS03300550	550	710	10,86	HHS03350550	550	710	12,00								
HHS03300600	600	760	11,60	HHS03350600	600	760	12,81								
HHS03300800	800	960	14,26	HHS03350800	800	960	15,87								
HHS03301000	1000	1160	17,00	HHS03351000	1000	1160	18,93								



Code	K	Z	kg	E BSP	L	L1	C	Code	K	Z	kg				
<b>ØD 70 ØAL 60 ØS 40</b>								<b>ØD 73 ØAL 63 ØS 40</b>							
HHS03400200	200	360	7,25	3/8"	50	30	23	HHS0063400200	200	360	7,60				
HHS03400250	250	410	8,14					HHS0063400250	250	410	8,50				
HHS03400300	300	460	9,03					HHS0063400300	300	460	9,40				
HHS03400350	350	510	9,90					HHS0063400350	350	510	10,30				
HHS03400400	400	560	10,79					HHS0063400400	400	560	11,20				
HHS03400450	450	610	11,64					HHS0063400450	450	610	12,10				
HHS03400500	500	660	12,52					HHS0063400500	500	660	13,00				
HHS03400550	550	710	13,45					HHS0063400550	550	710	13,90				
HHS03400600	600	760	14,30					HHS0063400600	600	760	14,80				
HHS03400800	800	960	17,82					HHS0063400800	800	960	18,50				
HHS03401000	1000	1160	21,40	HHS0063401000	1000	1160	22,10								
<b>ØD 80 ØAL 70 ØS 35</b>								<b>ØD 80 ØAL 70 ØS 40</b>							
HHS04350100	100	260	6,09	3/8"	50	33	23								
HHS04350150	150	310	6,95												
HHS04350200	200	360	7,74					HHS04400200	200	360	8,28				
HHS04350250	250	410	8,60					HHS04400250	250	410	9,26				
HHS04350300	300	460	9,40					HHS04400300	300	460	10,24				
HHS04350350	350	510	10,26					HHS04400350	350	510	11,20				
HHS04350400	400	560	11,00					HHS04400400	400	560	12,80				
HHS04350450	450	610	11,88					HHS04400450	450	610	13,11				
HHS04350500	500	660	12,60					HHS04400500	500	660	14,01				
HHS04350550	550	710	13,66					HHS04400550	550	710	15,10				
HHS04350600	600	760	14,20	HHS04400600	600	760	15,99								
HHS04350800	800	960	17,56	HHS04400800	800	960	19,73								
HHS04351000	1000	1160	21,26	HHS04401000	1000	1160	23,51								
<b>ØD 92 ØAL 80 ØS 40</b>								<b>ØD 92 ØAL 80 ØS 50</b>							
HHS05400200	200	380	11,08	1/2"	60	35	25	HHS05500200	200	380	12,35				
HHS05400250	250	430	12,22					HHS05500250	250	430	13,73				
HHS05400300	300	480	13,35					HHS05500300	300	480	15,15				
HHS05400400	400	580	15,56					HHS05500400	400	580	17,95				
HHS05400500	500	680	17,77					HHS05500500	500	680	20,71				
HHS05400600	600	780	19,98					HHS05500600	600	780	24,00				
HHS05400800	800	980	24,50					HHS05500800	800	980	29,50				
HHS05401000	1000	1180	28,92					HHS05501000	1000	1180	35,00				
<b>ØD 105 ØAL 90 ØS 50</b>															
HHS0090500300	300	486	19,30					1/2"	60	40	23				
HHS0090500400	400	586	22,64												
HHS0090500500	500	686	25,97												
HHS0090500600	600	786	29,30												
HHS0090500800	800	986	35,97												
HHS0090501000	1000	1186	42,64												
<b>ØD 115 ØAL 100 ØS 50</b>								<b>ØD 115 ØAL 100 ØS 60</b>							
HHS06500200	200	410	19,50	1/2"	82	38	25								
HHS06500250	250	460	21,50												
HHS06500300	300	510	23,00					HHS06600300	300	510	25,50				
HHS06500400	400	610	26,50					HHS06600400	400	610	29,50				
HHS06500500	500	710	30,00					HHS06600500	500	710	33,50				
HHS06500600	600	810	33,50					HHS06600600	600	810	37,50				
HHS06500800	800	1010	40,50					HHS06600800	800	1010	46,00				
HHS06501000	1000	1210	47,50					HHS06601000	1000	1210	54,50				